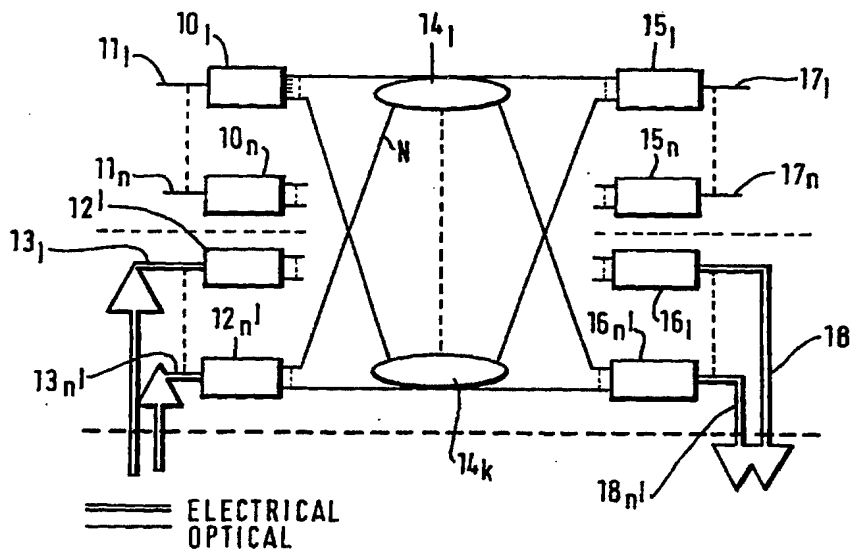




INTERNATIONAL APPLICATION PUBLISHED UNDER THE PATENT COOPERATION TREATY (PCT)

<p>(51) International Patent Classification ⁶ : H04Q 11/00</p>	<p>A1</p>	<p>(11) International Publication Number: WO 95/13687 (43) International Publication Date: 18 May 1995 (18.05.95)</p>
<p>(21) International Application Number: PCT/GB94/02330 (22) International Filing Date: 24 October 1994 (24.10.94) (30) Priority Data: 93308884.1 8 November 1993 (08.11.93) EP (34) Countries for which the regional or international application was filed: GB et al. 9406208.0 29 March 1994 (29.03.94) GB (71) Applicant (for all designated States except US): BRITISH TELECOMMUNICATIONS PUBLIC LIMITED COMPANY [GB/GB]; 81 Newgate Street, London EC1A 7AJ (GB). (72) Inventor; and (75) Inventor/Applicant (for US only): MCGUIRE, Alan [GB/GB]; 34 The Street, Hacheston, Woodbridge, Suffolk IP13 0DR (GB). (74) Agents: READ, Matthew, Charles et al.; Venner Shipley & Co, 20 Little Britain, London EC1A 7DH (GB).</p>		<p>(81) Designated States: CA, JP, US, European patent (AT, BE, CH, DE, DK, ES, FR, GB, GR, IE, IT, LU, MC, NL, PT, SE). Published With international search report. With amended claims.</p>

(54) Title: A CROSS-CONNECT FOR AN OPTICAL NETWORK



(57) Abstract

An optical cross-connect comprises a plurality of input modules (10₁..10_n, 12₁..12_n) each for receiving a respective group of input signals (11₁..11_n, 13₁..13_n) and deriving in response to each signal of the group an individual optical signal of a respective given wavelength, a plurality of output modules (15₁..15_n, 16₁..16_n) each including a plurality of receptors (23, 24; 27, 28) selectively responsive to respective ones of the wavelengths of said optical signals, to provide an output signal, and a plurality of couplers (14₁..14_k) each for coupling a respective one of said optical signals, each of a different wavelength, from each of the input modules, to a respective receptor of each of the output modules.

FOR THE PURPOSES OF INFORMATION ONLY

Codes used to identify States party to the PCT on the front pages of pamphlets publishing international applications under the PCT.

AT	Austria	GB	United Kingdom	MR	Mauritania
AU	Australia	GE	Georgia	MW	Malawi
BB	Barbados	GN	Guinea	NE	Niger
BE	Belgium	GR	Greece	NL	Netherlands
BF	Burkina Faso	HU	Hungary	NO	Norway
BG	Bulgaria	IE	Ireland	NZ	New Zealand
BJ	Benin	IT	Italy	PL	Poland
BR	Brazil	JP	Japan	PT	Portugal
BY	Belarus	KE	Kenya	RO	Romania
CA	Canada	KG	Kyrgyzstan	RU	Russian Federation
CF	Central African Republic	KP	Democratic People's Republic of Korea	SD	Sudan
CG	Congo	KR	Republic of Korea	SE	Sweden
CH	Switzerland	KZ	Kazakhstan	SI	Slovenia
CI	Côte d'Ivoire	LI	Liechtenstein	SK	Slovakia
CM	Cameroon	LU	Luxembourg	SN	Senegal
CN	China	LK	Sri Lanka	TD	Chad
CS	Czechoslovakia	LV	Latvia	TG	Togo
CZ	Czech Republic	MC	Monaco	TJ	Tajikistan
DE	Germany	MD	Republic of Moldova	TT	Trinidad and Tobago
DK	Denmark	MG	Madagascar	UA	Ukraine
ES	Spain	ML	Mali	US	United States of America
FI	Finland	MN	Mongolia	UZ	Uzbekistan
FR	France			VN	Viet Nam
GA	Gabon				

- 1 -

A CROSS-CONNECT FOR AN OPTICAL NETWORKFIELD OF THE INVENTION

This invention relates to a cross-connect for an optical
5 network.

BACKGROUND OF THE INVENTION

In order to cope with the increasing demand for subscriber
services on telecommunication networks, digital optical
10 transmission networks are being introduced in which local
access networks, which typically route electrical signals,
are interconnected by a fibre optic network. This has been
facilitated by the introduction of the Synchronous Digital
Hierarchy (SDH) standard that deals with the formatting of
15 signals in Synchronous Transfer Modules (STM) which will
allow a unified telecommunication infrastructure and
provides improved flexibility by permitting electrical
digital signals from the local access networks to be
converted into optical signals and transmitted through the
20 optical network.

In order to upgrade the capacity of the optical network,
Wavelength-Division-Multiplexing (WDM) techniques have been
proposed, which permit the transmission capacity of a fibre
25 link to be upgraded to the multi-Gbit/s range.

- 2 -

Thus, it has been proposed to provide a multi-Gbit/s WDM network superimposed on the top level of a SDH network. For a fuller discussion, reference is directed to I. Hawker, "Evolution of Digital Optical Transmission Networks", BT Technol. J., Vol. 9, No. 4, October 1991, pp 43-56. It is proposed to include nodes in the WDM network to allow dynamic re-routing of WDM data streams. It is proposed that each node should include access ports to allow optical streams to be dropped to and added from lower levels of the network. It has been proposed that routing of the high bit rate streams is directly performed in the optical layer whereas processing of any of the streams is achieved in the electronic domain by dropping it to a lower layer of the network. Network management and administration is proposed to be achieved from a management unit which configures an optical cross-connect at each node according to traffic requirements. Thus, optical cross-connects (OXC's) constitute the routing nodes of the WDM transport network.

20 A number of prior proposals have been made for the node architecture of the OXC and an example is given in Figure 1.

Three input fibres 1, 2, 3 are connected at the node to output fibres 4, 5, 6. Each of the fibres 1-3 carries four WDM wavelength channels, which are connected to the output fibres 4-6 by means of space switches X_1 - X_4 . In this

- 3 -

example, the space switches are 4X4 matrices which thus have four inputs a-d and four outputs e-h that are optically interconnectable and are controlled by applied electrical signals (not shown). Such space switches are well known and
5 include electrically controllable elements of variable refractive index to produce selective switching between the inputs and outputs.

The four optical channels of each input fibre 1-3 are
10 applied to an input of each of the space switches X_1 - X_4 and each is separately selected by means of a respective tunable filter F_{1_1} , F_{2_1} , F_{3_1} , F_{4_1} . Similarly, the various wavelength channels from fibres 2 and 3 are applied to respective inputs of the space switches through filters F_{1_2} - F_{4_2} , F_{1_3} -
15 F_{4_3} . The fourth input of each space switch X_1 - X_4 is connected to tunable optical transmitter units 7 which produce optical signals of a single frequency in response to digital electrical signal streams from the lower electrical layer of the network, to allow electrical signals to be
20 added into the optical network for transmission in the optical layer. The electrical signals may be SDH, PDH, ATM, X25 or any other suitable format, since the optical network can transmit the bit stream transparently in the optical domain. Similarly, the outputs h of each of the space
25 switches X_1 - X_4 are connected to receiver units 8 that include photodetectors for producing electrical signals, so that

- 4 -

digital data streams can be dropped out of the optical network into the lower, electrical layer. The outputs e-g of the space switches X_1 - X_4 are respectively connected to the inputs to the fibres 4, 5 and 6 by means of combiners 9, 10, 5 11. Thus, by applying control signals to the space switches X_1 - X_4 , traffic in the WDM channels of input fibres 1-3 can be switched selectively between output fibres 4-6 and signal trains can be added to and dropped out of the optical network by means of the transmitters and receivers 7, 8. 10 This arrangement however suffers from a number of disadvantages.

Firstly, the ultimate size of the OXC is limited by the size of the space switches. Currently, these are made in LiNbO_3 , 15 or InP and are limited for practical purposes to 8X8. Also, for polarisation independent operation they typically require high switching voltages of the order of +/- 100 V and have long rise times > 100 ns. Furthermore, the devices are not at present hermetically sealed, and the material 20 thereof tends to exhibit drift characteristics, so as to alter the performance with time.

Secondly, a node configuration as shown in Figure 1 produces a loss of approximately 30 dB and the main contributor to 25 the loss is the switch array. In order to overcome this problem, optical fibre amplifiers such as erbium doped fibre

- 5 -

amplifiers need to be used to provide amplification.

Thirdly, the node architecture exhibits blocking characteristics. It is not possible for the same wavelength
5 channel from two of the input fibres to leave on the same output fibre.

SUMMARY OF THE INVENTION

The invention provides an improved cross-connect, suitable
10 for an optical network, which may overcome at least some of these problems. In accordance with the invention there is provided an optical cross-connect comprising: a plurality of input means each for receiving a respective group of input signals and deriving in response to each signal of the group
15 an individual optical signal of a respective given wavelength, a plurality of output means each including a plurality of receptors selectively responsive to respective ones of the wavelengths of said optical signals to provide an output signal for the output means, and a plurality of
20 coupling means each for coupling a respective one of said optical signals, each of a different wavelength, from each of the input means, to a respective receptor of each of the output means.

25 In accordance with the invention, it is possible to route signals of the same wavelength from different input means to

- 6 -

a particular one of the output means. Furthermore, the losses involved may be substantially reduced.

In one form, the plurality of coupling means comprises a plurality of star couplers, and in another form comprises a plurality of optical bus lines to which the input and output means may be selectively added and removed as modules.

The input signals may be electrical or optical and the plurality of input means may be configured to process optical and electrical signals, to allow electrical signals to be added into the optical signal traffic. Similarly, at least one of the output means may produce electrical output signals to allow optical signals to be dropped to an electrical network.

Furthermore, an improved non-blocking arrangement may be provided, in which a plurality of the input means are each operative to receive a respective group (k) of input signals and derive in response to each signal of the group an individual optical signal of a respective given wavelength, the individual output signals being provided on selected ones of a plurality of output channels greater than k, a plurality of the output means each including a plurality of receptors greater in number than k, are selectively responsive to respective ones of the wavelengths of said

- 7 -

optical signals to provide an output signal for the output means, and a plurality of the coupling means greater in number than k , are each operative to couple a respective one of said optical signals, each of a different wavelength, from each of the input means, to a respective receptor of each of the output means.

BRIEF DESCRIPTION OF THE DRAWINGS

In order that the invention may be more fully understood an embodiment thereof will now be described by way of example, reference being had to the accompanying drawings in which:

Figure 1 is a schematic block diagram of a prior OXC, described hereinbefore;

Figure 2 is a schematic block diagram of an optical cross-connect in accordance with the invention;

Figure 3 illustrates schematically input and output modules of the cross-connect shown in Figure 2;

Figure 4 illustrates signal blocking in the arrangement of Figures 2 and 3;

Figure 5 is a schematic block diagram of the cross-connect with an alternative form of input module which avoids signal blocking;

Figure 6 is a schematic block diagram of an alternative form of cross-connect in accordance with the invention, which utilises a back plane bus;

- 8 -

Figure 7 illustrates a further optical cross-connect in accordance with the invention; and

Figure 8 illustrates schematically input and output modules of the cross-connect shown in Figure 7.

5

DETAILED DESCRIPTION

Referring to Figure 2, the OXC in accordance with the invention is configured for use at a node in a WDM hierarchical telecommunication system that includes an optical layer overlying various electronic layers.

The OXC includes a number of input means in the form of input modules 10_1-10_n to which optical fibres 11_1-11_n are connected, the optical fibres carrying k channel WDM signals. The OXC also receives inputs from the electronic layer that are applied to input modules $12_1-12_n'$. Each input module 12 receives k electrical lines 13 carrying electrical input digital signals.

As will be explained in more detail hereinafter, signals corresponding to the k channels of each electrical and optical input, are connected by means of k star couplers 14_1-14_k to a plurality of output means in the form of optical output modules 15_1-15_n and electronic output modules $16_1-16_n'$. The output modules 15_1-15_n provide k channel WDM optical signals on output fibres 17_1-17_n . The output modules

- 9 -

16 provide electrical outputs that can be dropped down to the electronic layer of the network on lines $18_1-18_n'$.

The structure of a first example of input module 10 is shown in Figure 3A and consists of a demultiplexer 19 which demultiplexes k channel WDM signals on input fibre 11 onto k parallel channels, each of which includes a wavelength converter 20_1-20_k . The wavelength converters each produce a respective different wavelength in response to the input signal applied thereto so that the device shown in Figure 3A provides one of N different output wavelengths to be coupled to the star couplers 14 as will be described hereinafter, where N corresponds to the total number of input or output modules ($n+n'$). The wavelength converters may comprise all-optical devices or may include an opto-electrical detector that drives a tunable laser. Examples of specific wavelength converters currently available are listed in "Photonic terabit/s networks and their key components" H.R. van As, IBM Research Div (Rüschlikon) 11th Annual Conference on European Fibre Optic Communications and Networks (EFOC & N '93) June 30 - July 1993 pp 13-20, and in particular on page 18.

The structure of each input module 12 for electrical signals is shown in more detail in Figure 3B. Each input module 12 receives k parallel electrical lines 13_1-13_k that are

- 10 -

connected to respective lasers that are tunable over the N
different output wavelengths. Thus the lasers, which are
typically laser diodes, produce output modulated signals at
k different wavelengths, for the k input electrical signal
5 channels. Specific examples of commercially available
tunable lasers suitable for the system are listed on page 17
of the EFOC & N '93 paper, *supra*.

Referring to Figure 1, the star couplers 14_1 - 14_k each include
10 N optical inputs and N optical outputs. The N inputs of
each star coupler 14 are connected to receive individual
different frequency outputs from each of the input modules.
Thus, referring to Figure 2, star coupler 14_1 has inputs
connected to receive a respective different wavelength
15 signal train from each of the input modules 10_1 - 10_n and 12_1 -
 $12_n'$. In order to simplify the drawing, only the
connections from input module 10_1 and $12_n'$ are shown.
Similarly, for the star coupler 14_k , connections from input
module 10_1 and $12_n'$ are shown with the other connections
20 being omitted to simplify the drawing. The connections to
star couplers 14_2 - 14_{k-1} have also been omitted for
simplicity. For each of the star couplers 14, the inputs
are so arranged that each receives an individual wavelength
from the groups of different wavelengths produced by each of
25 the input modules 10 and 12.

- 11 -

Each star coupler 14 operates in a manner well known per se so as to mix all the input signal trains and feed them to all of its outputs. Thus, considering for example star coupler 14_1 , a mixture of all of its inputs is applied to N
5 outputs, namely to each of the output modules 15_1-15_n , 16_1-16_n .

The nature of each of the output modules will now be described with reference to Figure 3. Referring to Figure
10 3C, the structure of each optical output module 15 is shown. The module consists of k inputs 22_1-22_k which are individually connected to one output of each of the star couplers 14_1-14_k . Each input 22 is connected to a receptor in the form of a tunable filter 23_1-23_k which is individually
15 tunable in order to select individual wavelengths from the mixture of signals applied to each input 22. Commercially available tunable filters are described in detail on page 17 of the EFOC & N '93 paper, *supra*, and may comprise electro-mechanically tuned filters (e.g. Fabry-Perot etalon),
20 acousto-optical or semiconductor filters.

It will be recalled that each star coupler, connected to a corresponding one of the inputs 22, supplies a mixture of signals of different wavelengths selected from one of the
25 outputs of each of the input modules 10, 12. Thus, each tunable filter 23_1-23_k can be used to select an individual

- 12 -

signal from one of the input modules on the basis of a wavelength selection. The tunable filters may be tuned individually by the application of an external control voltage from a control system (not shown). The output of each filter 23_1-23_k is applied to a corresponding wavelength converter 24_1-24_k . The wavelength converters produce signals that are combined by means of a passive combiner 25 to produce a k channel WDM signal on output fibre 17.

10 Thus, by suitable selection of the pass frequencies of the filters 23, selection of individual signals can be achieved for each output fibre 17 so that a selective cross-connection can be achieved between the input fibres 11 and output fibres 17. Moreover, electrical signals applied to input modules 12 can be added into the k channel WDM signals produced at output fibres 17, thus lifting the electrical signal from the electronic layer of the network to the optical layer.

20 Figure 3D shows a structure for each electrical module 16, which allows optical signal trains to drop down from the optical layer to the electrical layer of the network. Each output module 16 consists of k input lines 26_1-26_k which are applied to tunable filters 27_1-27_k that function in a similar manner to the tunable filters 23 so as to select individual signal wavelengths. The outputs of the tunable

25

- 13 -

filters 27 are applied to corresponding receivers 28_1-28_k , typically in the form of photodiodes, which produce electrical signals corresponding to the signals of selected wavelength. The resulting k digital signal trains are
5 applied to k output lines, which make up each output 18. Thus, signals of particular wavelengths are selected by the tunable filters 27 and are dropped down to electrical signals for use in the electronic layer of the network.

10 A problem with the configuration described so far is that signal blocking can occur at some of the outputs 17. This can be understood from Figure 4 which is an enlarged, partial illustration of the configuration of Figure 2, Figure 3A and Figure 3B, showing input modules $10_1, 10_2$, star
15 coupler 14_1 and output module 15_1 , the other components having been omitted to simplify the drawing.

Referring to input module 10_1 , the input WDM signal is demultiplexed by demultiplexer 19_1 to provide k signals of
20 wavelength $\lambda_1-\lambda_k$ which are applied to respective wavelength converters $20_{11}-20_{1k}$. The wavelength converters produce respective outputs $\lambda_1-\lambda_m$.

A similar set of signals is produced by input module 10_2 ,
25 comprising wavelengths $\lambda_j-\lambda_n$ as shown in Figure 4. Each of the other input modules (not shown) produce similar outputs.

- 14 -

Considering now the star coupler 14_1 , each of its N inputs receives a signal from the first wavelength converter 20_{11} - 20_{21} , etc. and the arrangement is set up so that each of the input wavelengths is different. Thus N separate wavelengths are applied to the star coupler. Accordingly, referring to Figure 4, $\lambda_i \neq \lambda_j$. As previously explained, the resulting mix of signals produced by star coupler 14_1 is applied to a single input of each of the output modules 15_1 - 15_n , 16_1 - 16_n '. Thus, considering the output module 15_1 as shown in Figure 4, it is not possible to select wavelength λ_i and λ_j from the input modules 10_1 , 10_2 simultaneously at the output module 15_1 since both of the signals are applied simultaneously to one of the filters 23. In Figure 4 this is shown as input filter 23_1 . The filter 23_1 can select only one of the wavelengths λ_i , λ_j and therefore, signal blocking of one of the wavelengths will occur.

This problem is overcome by the configuration shown in Figure 5, in which a different form of the input module $10'$ is provided. Referring to input module $10'_1$ the input WDM signals applied on input fibre 11_1 are fed to a beam splitter 30_1 that provides k parallel channel outputs each of which is fed to a tunable filter 31_{11} - 31_{1k} that in turn are connected to individual wavelength converters 20_{11} - 20_{1k} . Thus, by tuning the individual filters 31_{11} - 31_{1k} , the

- 15 -

different input signals $\lambda_1-\lambda_k$ can be applied to different ones of the k channels selectively. The wavelength converters $20_{11}-20_{1k}$ then produce appropriate signals for the inputs of the star couplers 14. In Figure 5, the first two
5 star couplers $14_1, 14_2$ are shown. When it is desired to assemble a signal at output module 15_1 that contains wavelength λ_i from input module $10'_1$ and λ_j from input module $10'_2$, if, as previously described with reference to Figure 4, these signals were applied to the inputs of a single one
10 of the star couplers, blocking would occur. However, as shown in Figure 5, the tunable filter 31_{22} is adjusted such that wavelength converter 20_{22} (rather than converter 20_{21}) produces the output wavelength λ_j . Consequently, the signal of wavelength λ_j is applied to star couplers 14_2 and hence
15 to the second input of the output module 15_1 . Thus, the signals of wavelength λ_i and λ_j can be selected by the tunable filters 23_1 and 23_2 respectively in the output module 15_1 . In this way, signal blocking is avoided.

20 Referring to Figure 6, this shows an alternative configuration in which the star couplers of Figure 2 are replaced by a back plane bus. Thus, the individual input modules $10_1-10_n, 12_1-12_n$ have their k outputs connected individually to k parallel optical fibres 32 which form a
25 fibre back plane. The output modules 15_1-15_n and 16_1-16_n have their respective k inputs selectively connected to the

- 16 -

k fibres of the back plane. This arrangement is particularly suited to use with input modules of the form shown in Figure 5 since individual signal trains can be programmably applied to individual ones of the back plane fibres 32 and then selectively received by the output modules 15, 16 under the control of tunable filters 23, 27. This arrangement has the advantage that the individual modules can be arranged as units that can be plugged onto the back plane for example by using optical D-couplers.

10

The described examples of the invention have the advantage that the number of elements that need to be controlled is much smaller as compared with the configuration shown in Figure 1. Considering an example of the OXC of Figure 2, when compared with that of Figure 1, when the number of wavelengths $k = 4$ and the number of input and output optical lines is 3, the component count is set out in the following table:

TABLE

	<u>Fig. 1</u>	<u>Fig. 2</u>
20 Number of tunable filters	12	16
Number of tunable sources	4	4
Number of crosspoints	112	-
Number of wavelength converters	-	24
25 Total	128	44

- 17 -

Furthermore, since the wavelength converters in the input modules can be permanently set such that the output wavelength of a converter is always the same, the number of elements requiring control can be reduced to 36.

5

The optical star couplers of Figure 2 and the back plane bus of Figure 6 are inexpensive components as compared with the space switches shown in Figure 1. Packaged optical star couplers which are wavelength insensitive between 1300-1600
10 nm and as large as 144 x 144 have been reported and are thus suited to implement the invention. Since the optical star couplers are themselves inexpensive compared to the input and output modules shown in Figure 2, it is envisaged that not all the input and output modules need be attached at the
15 time of commissioning the system so that the system can readily be upgraded in terms of its capacity thereafter. The described input and output modules both include wavelength converters, with the advantage that if a signal inversion occurs at the wavelength converter, two inversions
20 occur, so that no signal inversion will occur in the final output of the cross-connect.

An embodiment of the invention will now be described in which an alternative way of avoiding channel blocking is
25 achieved. Referring to Figure 7, the structure is generally similar to that shown in Figure 2 and like parts are given

- 18 -

the same reference numbers. Each of the input optical fibres 11 carries k optical multiplex channels, but each input module 10, instead of providing k parallel channels, provides Q channels where:

$$5 \quad Q > 2k - 1 \quad (1)$$

Similarly, the input modules 12 provide Q parallel channels and Q star couplers 14 are provided. Each of the output modules 15, 16 is provided with Q parallel channels.

10 The various input and output modules 10, 12, 15 and 16 are shown in more detail in Figures 8a - d respectively. Referring to Figure 8a, each input module 10 is similar to that shown in Figure 5 but with Q channels, and consists of an input fibre 11 that carries k input multiplexed channels,
15 connected to a passive splitter 19 that has Q outputs coupled to Q tunable filters $31_1 - 31_Q$ which are respectively connected to wavelength converters $20_1 - 20_Q$, in order to provide Q parallel outputs. From the foregoing, it will be seen that the channel redundancy of $(Q - k)$ and the tunable
20 nature of the various channels Q allows a strictly non-blocking configuration to be provided.

Referring now to Figure 8b which shows the input module 12, the arrangement has Q input channels connected to respective
25 tunable lasers $21_1 - 21_Q$. For a system which provides k input channels, the remaining input channels $(Q - k)$ can be

- 19 -

used to provide test signals. The configuration of the output modules 15, 16 shown in Figures 8c, d is the same as that shown in Figures 3c, d except for the provision of Q parallel channels rather than k. It will be seen that by appropriate selection of the wavelength of operation of tunable filters 31 and 23, 27, a fully non-blocking architecture is provided by virtue of the (Q - k) channel redundancy. Whilst this non-blocking arrangement has been described for use with the star couplers 14, it will be appreciated that it can also be used in connection with a back plane bus as shown in Figure 6, but utilising Q back plane channels. Thus the various modules of Figure 8, could be used with a Q channel back plane bus.

15 Since the wavelengths used in the cross-connect according to the invention are selected independently of the wavelengths used in the optical network itself, it is not necessary to control the preciseness of wavelength throughout the entire network but only on a link-by-link basis, since each optical cross-connect in accordance with the invention provides a decoupling between adjacent sections of the network.

Also, the separation of the N wavelengths used in the optical cross-connect need not be the same as the separation of the wavelengths $\lambda_1 - \lambda_k$ used on the link. For example, the link wavelengths $\lambda_1 - \lambda_k$ may each be separated by 2 nm whereas

- 20 -

the wavelengths λ_1, λ_n can be separated by 1nm, 2nm, 3nm or any other suitable spacing.

Thus, the set of wavelengths used in the optical cross-
5 connect is independent of the network and the number of trunk lines and the number of channels k used in the network itself. Thus, N can be chosen independently of k .

CLAIMS

1. An optical cross-connect comprising:
a plurality of input means (10, 12) each for receiving
5 a respective group of input signals (11, 13) and deriving in
response to each signal of the group an individual optical
signal (λ_i) of a respective given wavelength,
a plurality of output means (15, 16) each including a
plurality of receptors (23, 27) selectively responsive to
10 respective ones of the wavelengths of said optical signals
to provide an output signal for the output means, and
a plurality of coupling means (14, 32) each for
coupling a respective one of said optical signals, each of
a different wavelength, from each of the input means, to a
15 respective receptor of each of the output means.
2. An optical cross-connect according to claim 1 wherein
said input signals comprise multiplexed optical signals and
at least some of said input means (10) include means
20 responsive to the multiplexed optical signals to produce
said individual optical signals of respective given
wavelengths.
3. An optical cross-connect according to claim 2 wherein
25 said multiplexed optical signals comprise WDM signals.

- 22 -

4. An optical cross-connect according to claim 3 wherein the input means comprises a WDM demultiplexer (19) for demultiplexing the input WDM signals, and a plurality of wavelength converters (20) responsive respectively to the demultiplexed signals for producing said individual optical signals.
5. An optical cross-connect according to claim 3 including means (30, 31) for selectively controlling which of said individual optical signals from the respective input means are coupled to a particular one of the coupling means.
6. An optical cross-connect according to claim 5 wherein at least some of said input means includes beam splitting means (30) for splitting the input optical signals into a plurality of paths, and tunable filters (31) associated with the paths for selecting the individual WDM signals respectively.
7. An optical cross-connect according to claim 6 including wavelength converters (20) connected to the outputs of the tunable filters (31) respectively.
8. An optical cross-connect according to any one of claims 2 to 6 wherein at least some of the output means include a respective means (25) for combining the outputs of the

- 23 -

receptors to provide the output signal.

9. An optical cross-connect according to claim 8 including wavelength converters (24) connected to the outputs of the
5 outputs of the receptors (23).
10. An optical cross-connect according to any preceding claim wherein at least one group of said input signals comprise electrical signals and the input means (12) that
10 receives the electrical signals includes a plurality of tunable lasers (21) operative to generate corresponding optical signals at said different wavelengths.
11. An optical cross-connect according to any preceding
15 claim wherein at least one of the output means includes photodetectors (28) connected to the receptors (27) thereof for producing a plurality of output electrical signals.
12. An optical cross-connect according to any preceding
20 claim wherein the receptors comprise tunable filters.
13. An optical cross-connect according to any preceding claim wherein said plurality of coupling means comprises a plurality of star couplers (14).
25
14. An optical cross-connect according to any preceding

- 24 -

claim wherein said plurality of coupling means comprises a plurality of bus lines (32), with the optical signals of different wavelength from each input means being coupled to the bus lines, and the receptors of each output means being
5 coupled to the bus lines.

15. An optical cross-connect according to claim 14 wherein said input means and said output means are arranged as modules (10, 12, 15, 16) that are selectively addable to and
10 removable from connection from the bus lines.

16. An optical cross-connect according to any preceding claim wherein the wavelengths of the individual optical signals are selectable independently of the wavelengths of
15 the input signals.

17. An optical cross-connect according to any preceding claim wherein a plurality of the input means (10,12) are each operative to receive a respective group (k) of input
20 signals and derive in response to each signal of the group an individual optical signal of a respective given wavelength the individual output signals being provided on selected ones of a plurality of output channels greater than k, a plurality of the output means (15, 16) each including
25 a plurality of receptors greater in number than k, are selectively responsive to respective ones of the wavelengths

- 25 -

of said optical signals to provide an output signal for the output means, and a plurality of the coupling means (14, 32) greater in number than k , are each operative to couple a respective one of said optical signals, each of a different
5 wavelength, from each of the input means, to a respective receptor of each of the output means.

18. An optical cross-connect according to claim 17 wherein the input means (10, 12) each include Q channels where
10 $Q > 2k - 1$.

19. An optical cross-connect according to claim 18 including Q of said coupling means (14, 32).

15 20. An optical cross-connect according to claim 17 or 18 including Q of said receptors (23, 27) for each of said output means (15, 16).

21. An optical cross-connect including inputs for multi-
20 channel input optical signals, said channels each having a particular wavelength of operation, means responsive to the channels to provide individual optical signals at wavelengths selected independently of the channel wavelengths, and means responsive to the individual optical
25 signals to provide multi-channel optical signals that comprise predetermined combinations of the channels said

input optical signals.

22. An optical cross-connect including inputs for k channel input optical signals, said k channels each having
5 a particular wavelength of operation, means responsive to the channels to provide individual optical signals at wavelengths selected independently of the channel wavelengths on selected ones of Q channels, where $Q > k$, and means responsive to the individual optical signals to
10 provide multi-channel optical signals that comprise predetermined combinations of the Q channels of said input optical signals.

AMENDED CLAIMS

[received by the International Bureau on 9 March 1995 (09.03.95);
original claims 1 and 15 amended; original claim 21 cancelled;
original claim 22 unchanged but renumbered as claim 21;
remaining claims unchanged (6 pages)]

1. An optical cross-connect comprising:

a plurality of input means (10, 12) each for
5 receiving a respective group of input signals (11, 13)
and deriving in response to each signal of the group an
individual optical signal (λ_i) of a respective given
wavelength,

a plurality of output means (15, 16) each including
10 a plurality of receptors (23, 27) selectively responsive
to respective ones of the wavelengths of said optical
signals to provide an output signal for the output means,
and

a plurality of coupling means (14, 32) each for
15 coupling a respective one of said optical signals, each
of a different wavelength, from each of the input means,
to a respective receptor of each of the output means
characterised in that

the input means (10, 12) are arranged in a plurality (N)
20 of modules each for receiving a group (k) of said input
signals,

said output means (15, 16) are arranged in a plurality of
modules, and

said modules are selectively connectible to the coupling
25 means.

2. An optical cross-connect according to claim 1
wherein said input signals comprise multiplexed optical

- 28 -

signals and at least some of said input means (10) include means responsive to the multiplexed optical signals to produce said individual optical signals of respective given wavelengths.

5

3. An optical cross-connect according to claim 2 wherein said multiplexed optical signals comprise WDM signals.

10 4. An optical cross-connect according to claim 3 wherein the input means comprises a WDM demultiplexer (19) for demultiplexing the input WDM signals, and a plurality of wavelength converters (20) responsive respectively to the demultiplexed signals for producing
15 said individual optical signals.

5. An optical cross-connect according to claim 3 including means (30, 31) for selectively controlling which of said individual optical signals from the
20 respective input means are coupled to a particular one of the coupling means.

6. An optical cross-connect according to claim 5 wherein at least some of said input means includes beam
25 splitting means (30) for splitting the input optical signals into a plurality of paths, and tunable filters (31) associated with the paths for selecting the individual WDM signals respectively.

- 29 -

7. An optical cross-connect according to claim 6 including wavelength converters (20) connected to the outputs of the tunable filters (31) respectively.
- 5 8. An optical cross-connect according to any one of claims 2 to 6 wherein at least some of the output means include a respective means (25) for combining the outputs of the receptors to provide the output signal.
- 10 9. An optical cross-connect according to claim 8 including wavelength converters (24) connected to the outputs of the outputs of the receptors (23).
10. An optical cross-connect according to any preceding
15 claim wherein at least one group of said input signals comprise electrical signals and the input means (12) that receives the electrical signals includes a plurality of tunable lasers (21) operative to generate corresponding optical signals at said different wavelengths.
- 20 11. An optical cross-connect according to any preceding claim wherein at least one of the output means includes photodetectors (28) connected to the receptors (27) thereof for producing a plurality of output electrical
25 signals.
12. An optical cross-connect according to any preceding claim wherein the receptors comprise tunable filters.

- 30 -

13. An optical cross-connect according to any preceding claim wherein said plurality of coupling means comprises a plurality of star couplers (14).

5 14. An optical cross-connect according to any preceding claim wherein said plurality of coupling means comprises a plurality of bus lines (32), with the optical signals of different wavelength from each input means being coupled to the bus lines, and the receptors of each
10 output means being coupled to the bus lines.

15 15. An optical cross-connect according to claim 14 wherein said modules of said input means and said output means (10, 12, 15, 16) are selectively addable to and
15 removable from connection from the bus lines.

16. An optical cross-connect according to any preceding claim wherein the wavelengths of the individual optical signals are selectable independently of the wavelengths
20 of the input signals.

17. An optical cross-connect according to any preceding claim wherein a plurality of the input means (10,12) are each operative to receive a respective group (k) of input
25 signals and derive in response to each signal of the group an individual optical signal of a respective given wavelength the individual output signals being provided on selected ones of a plurality of output channels

- 31 -

greater than k , a plurality of the output means (15, 16) each including a plurality of receptors greater in number than k , are selectively responsive to respective ones of the wavelengths of said optical signals to provide an
5 output signal for the output means, and a plurality of the coupling means (14, 32) greater in number than k , are each operative to couple a respective one of said optical signals, each of a different wavelength, from each of the input means, to a respective receptor of each of the
10 output means.

18. An optical cross-connect according to claim 17 wherein the input means (10, 12) each include Q channels where $Q > 2k - 1$.

15

19. An optical cross-connect according to claim 18 including Q of said coupling means (14, 32).

20. An optical cross-connect according to claim 17 or 18 including Q of said receptors (23, 27) for each of said
20 output means (15, 16).

21. An optical cross-connect including inputs for k channel input optical signals, said k channels each
25 having a particular wavelength of operation, means responsive to the channels to provide individual optical signals at wavelengths selected independently of the channel wavelengths on selected ones of Q channels, where

- 32 -

Q > k, and means responsive to the individual optical signals to provide multi-channel optical signals that comprise predetermined combinations of the Q channels of said input optical signals..

5

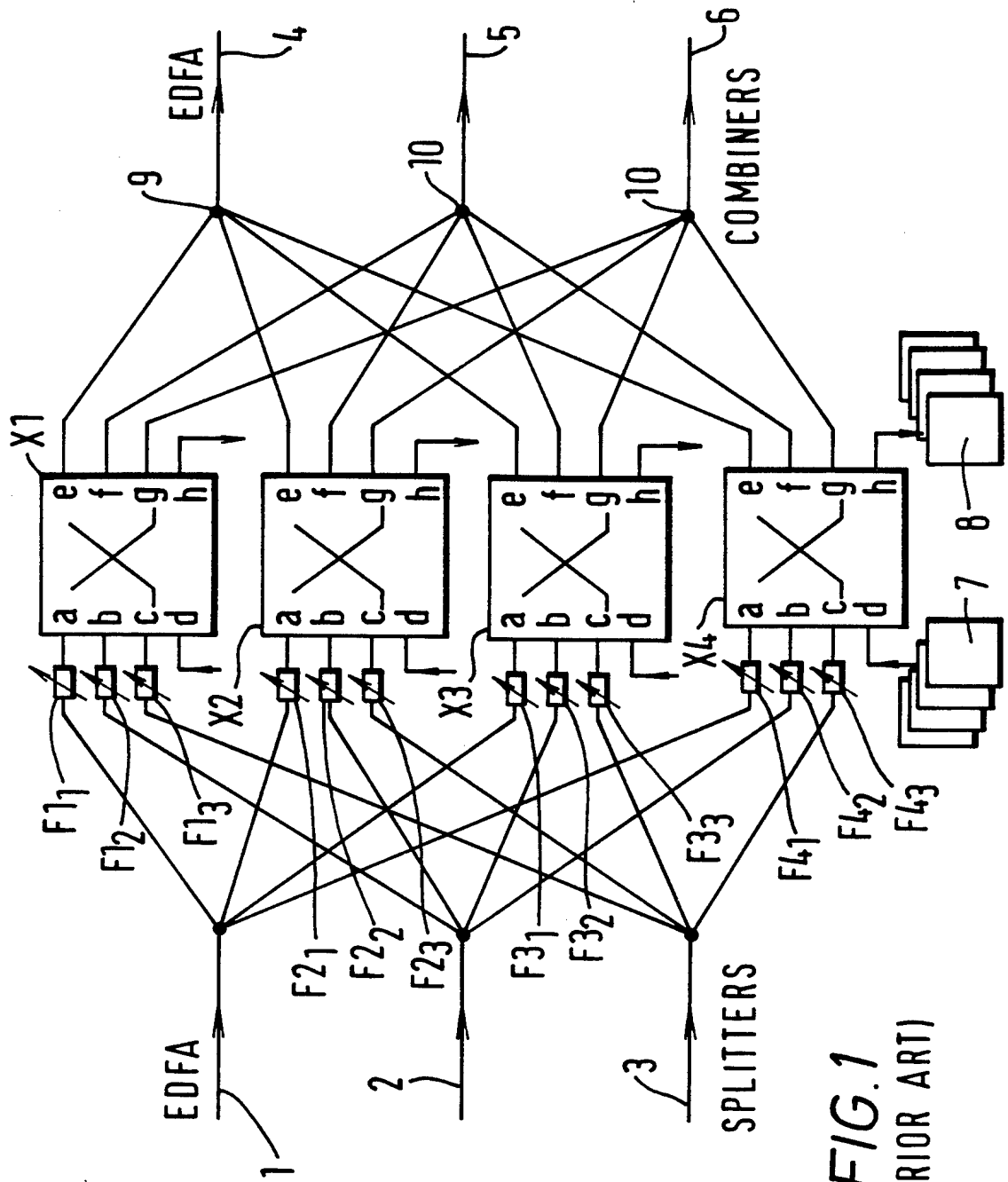
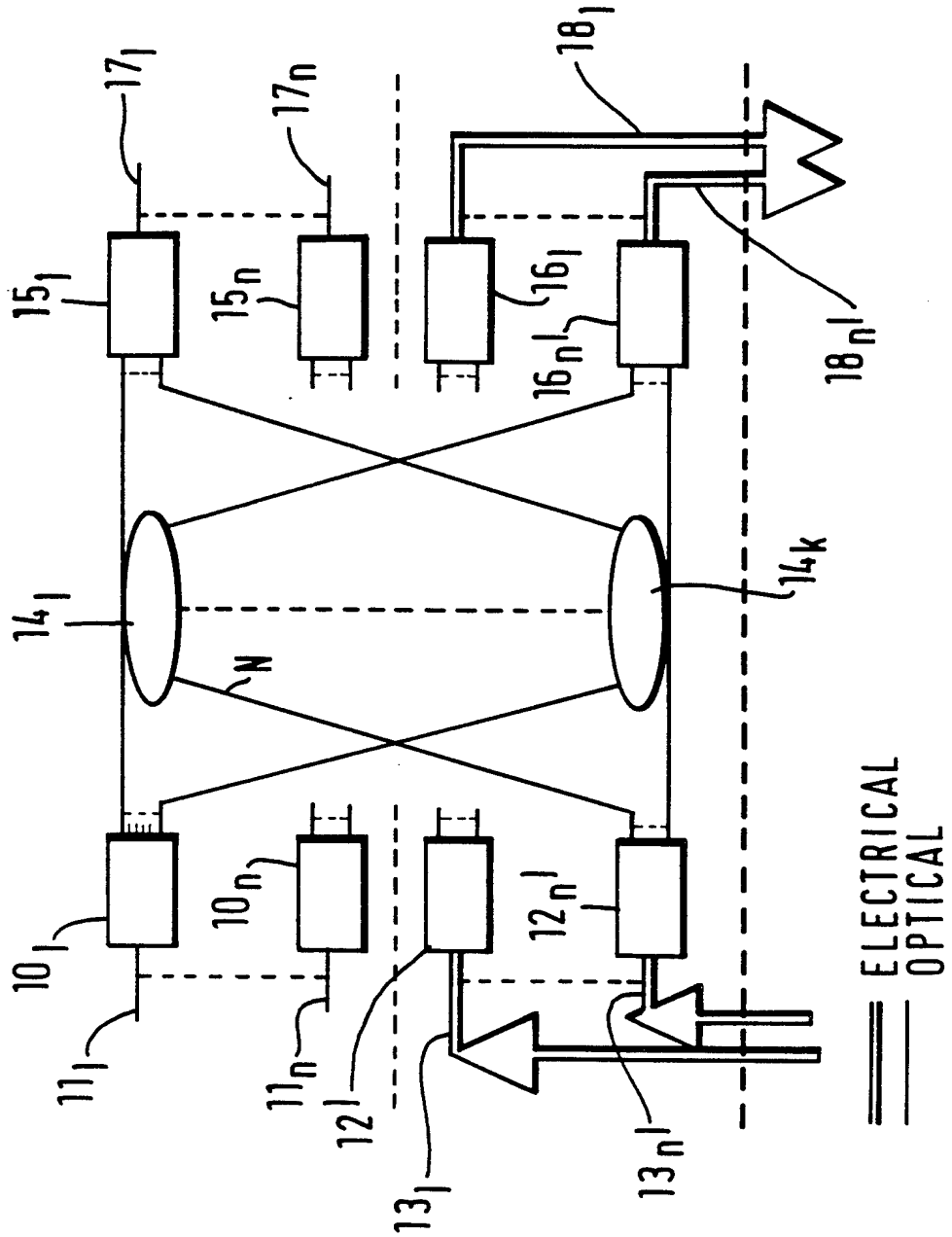
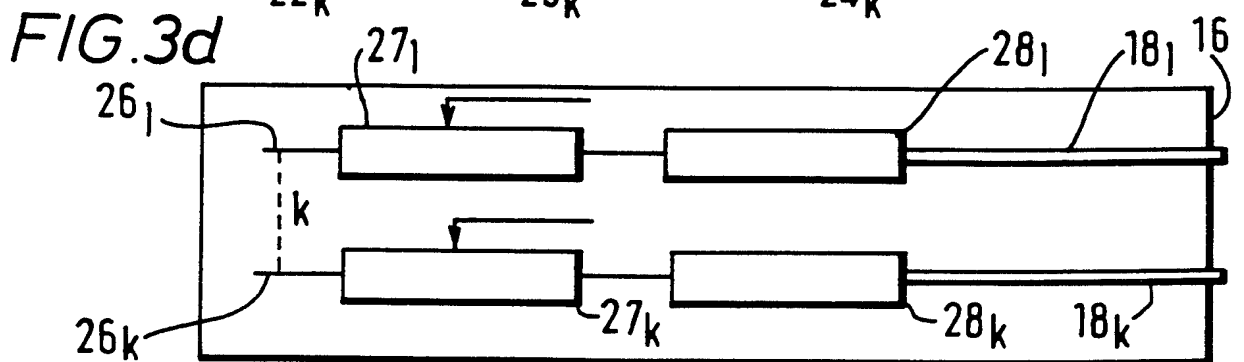
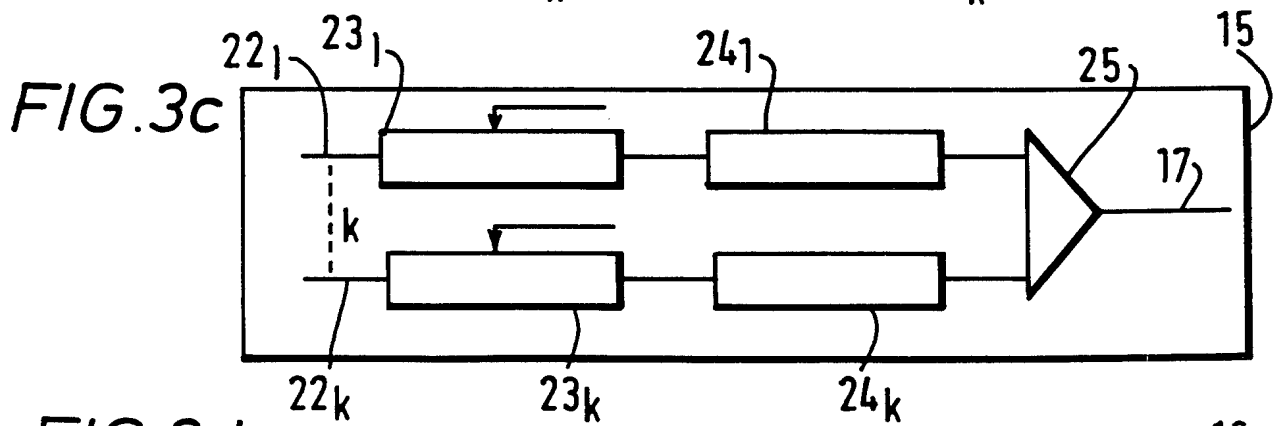
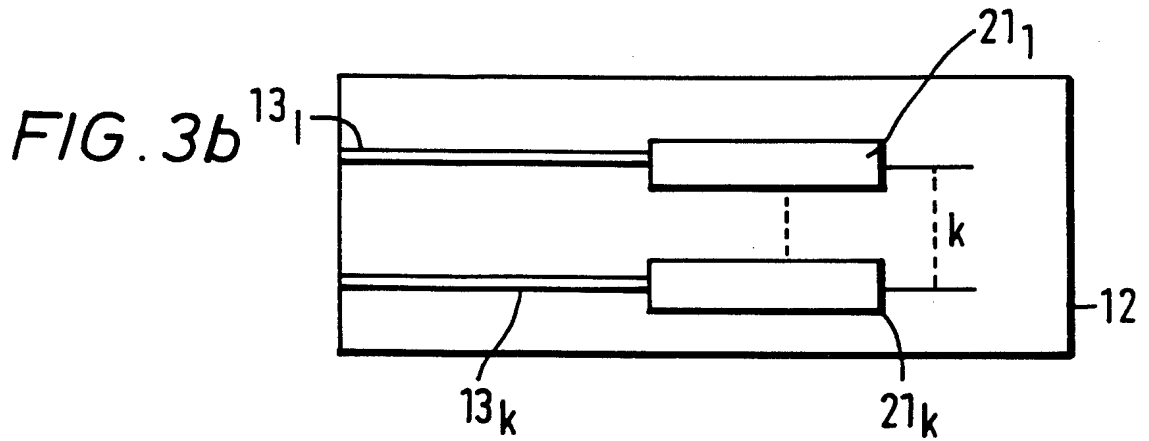
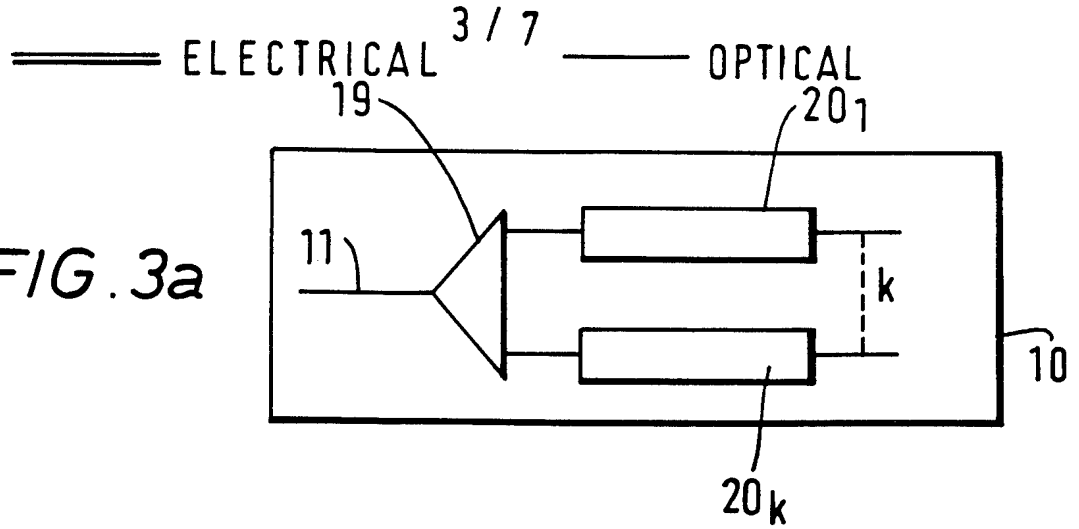


FIG. 1
(PRIOR ART)

FIG. 2





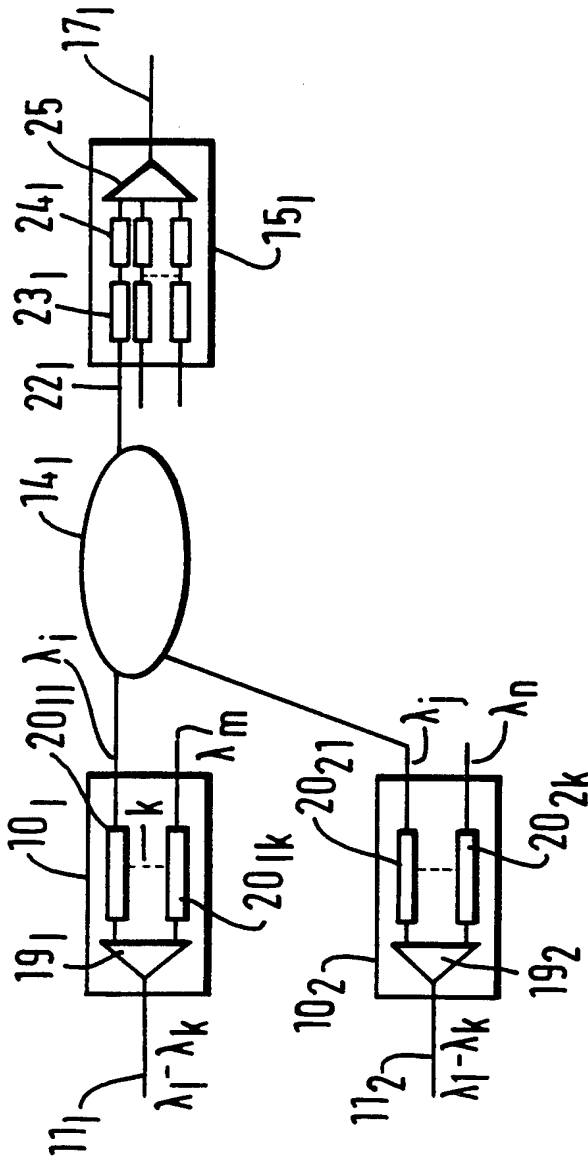


FIG. 4

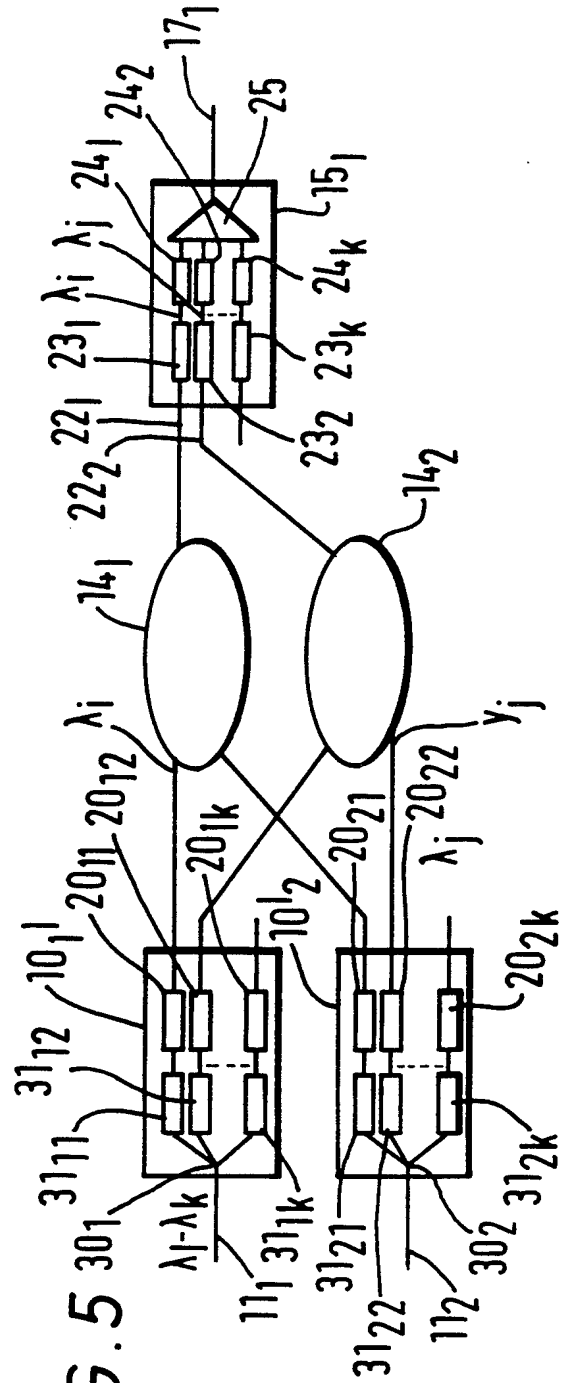


FIG. 5

FIG. 6

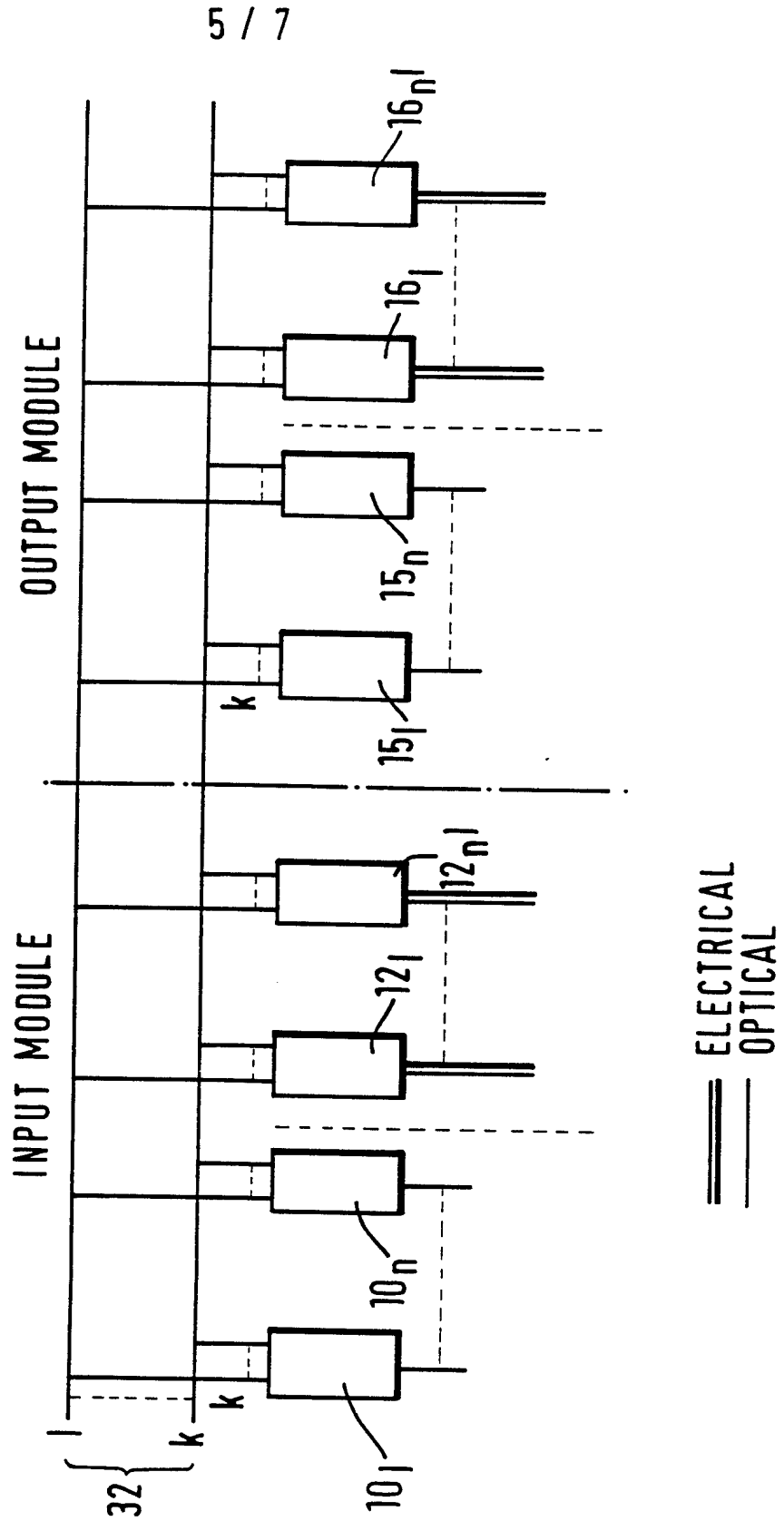
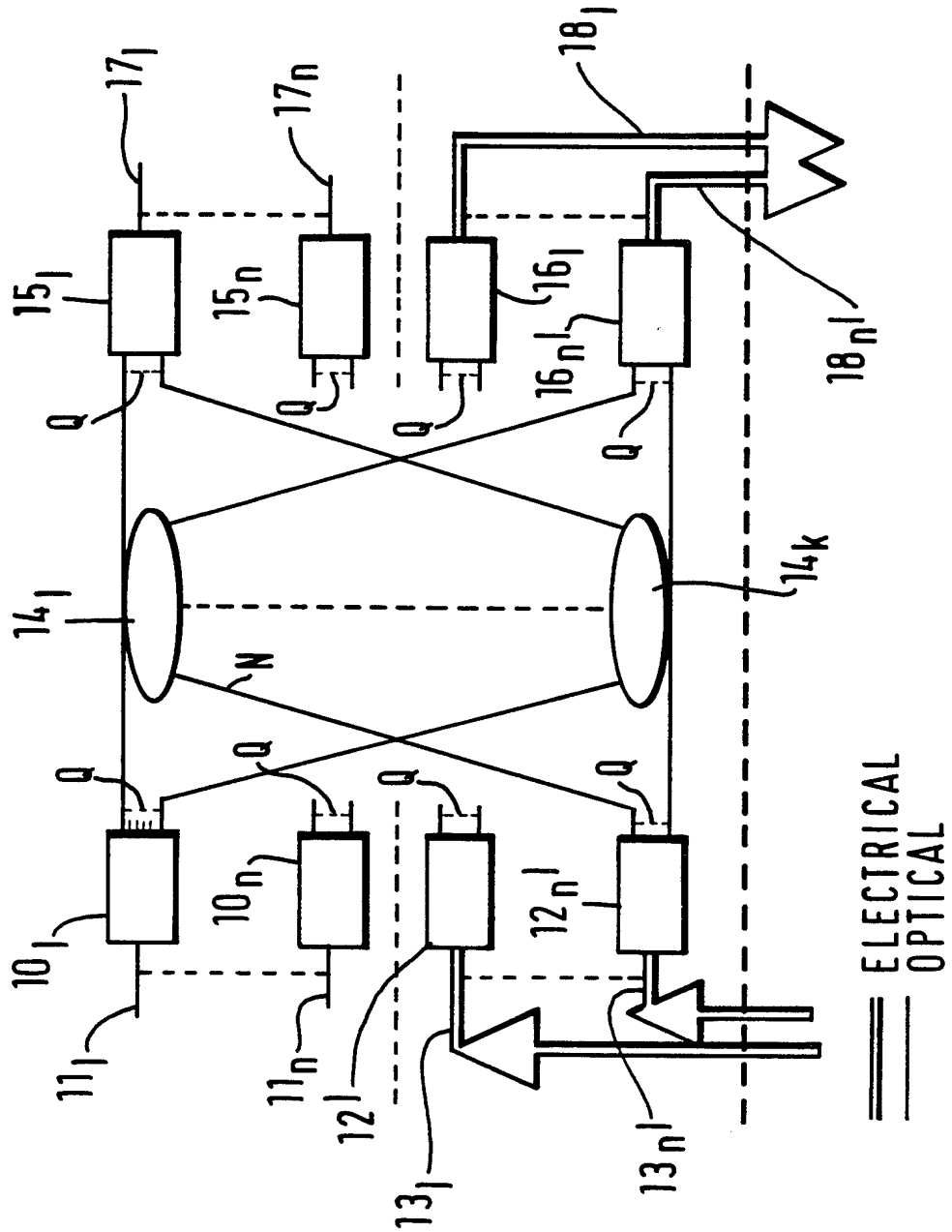
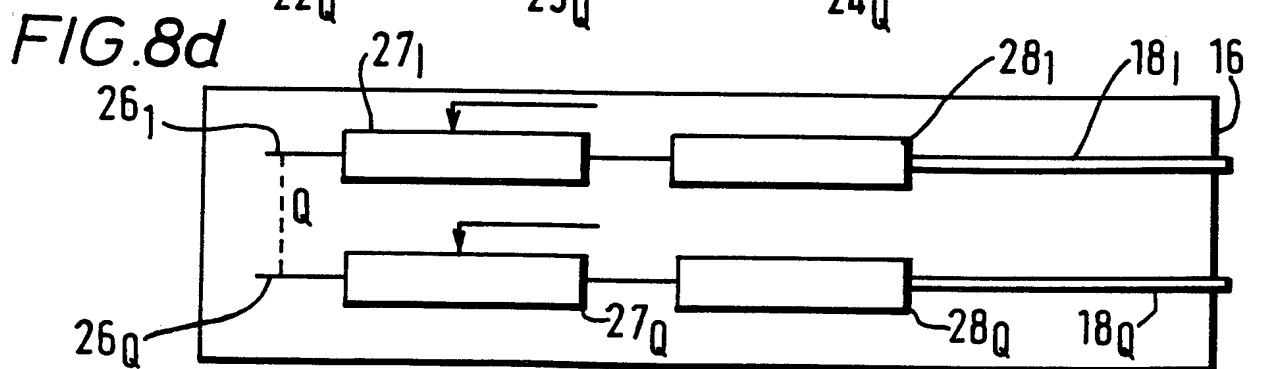
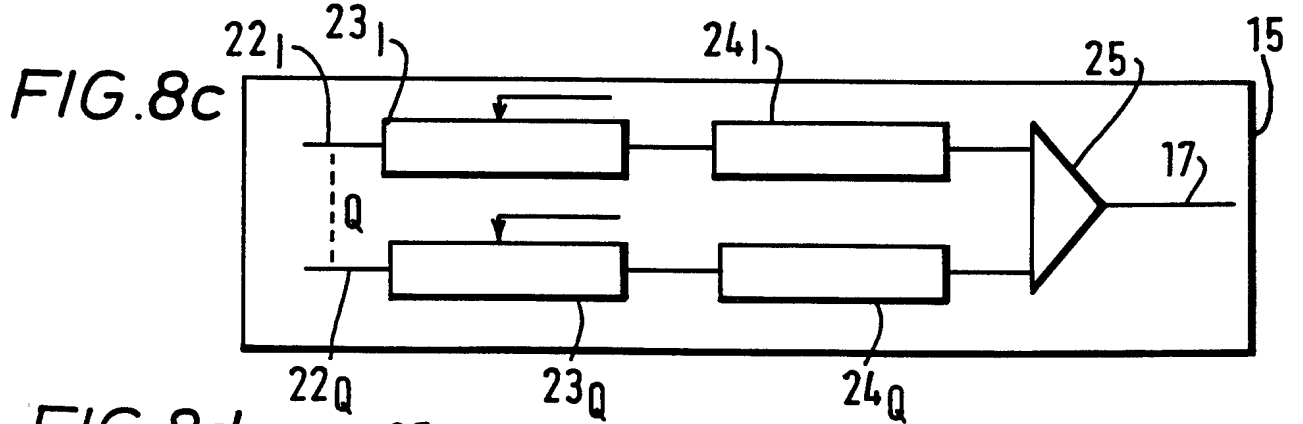
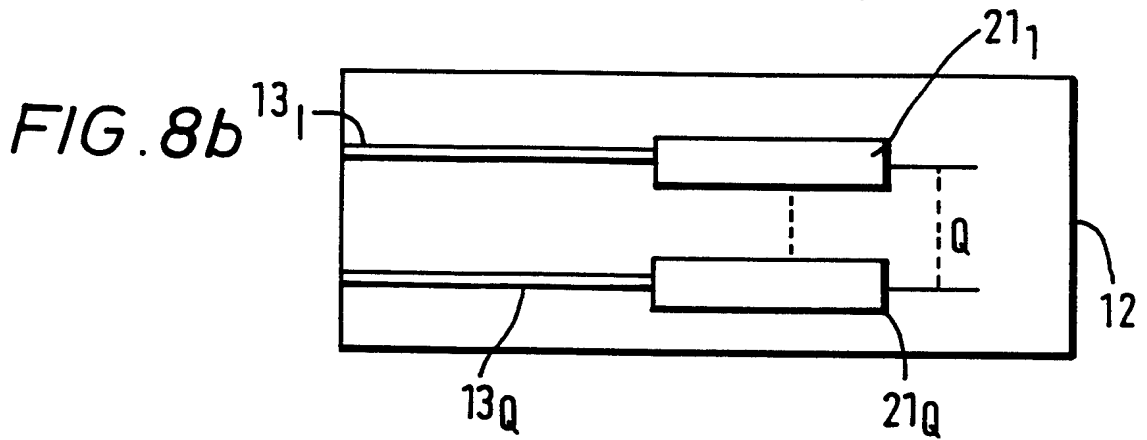
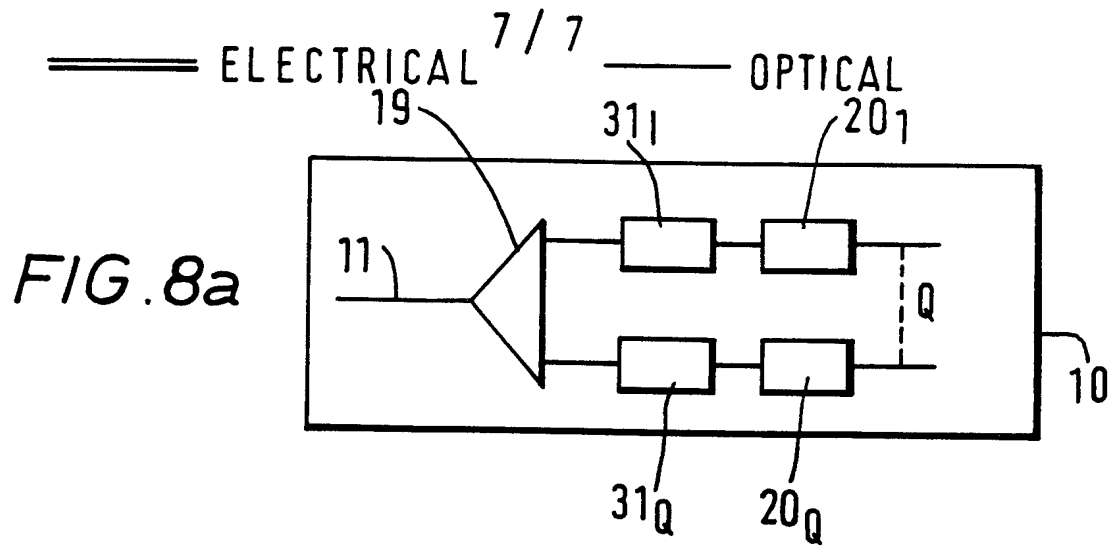


FIG. 7.





INTERNATIONAL SEARCH REPORT

Intern. Application No
PCT/GB 94/02330

A. CLASSIFICATION OF SUBJECT MATTER
IPC 6 H04Q11/00

According to International Patent Classification (IPC) or to both national classification and IPC

B. FIELDS SEARCHED

Minimum documentation searched (classification system followed by classification symbols)
IPC 6 H04Q

Documentation searched other than minimum documentation to the extent that such documents are included in the fields searched

Electronic data base consulted during the international search (name of data base and, where practical, search terms used)

C. DOCUMENTS CONSIDERED TO BE RELEVANT

Category *	Citation of document, with indication, where appropriate, of the relevant passages	Relevant to claim No.
X	EP,A,0 548 453 (SIEMENS AKTIENGESELLSCHAFT) 30 June 1993	1-13,
Y	see the whole document	16-22 14,15
X	PROCEEDINGS OF THE SPIE, 1992 TOPICAL MEETING ON PHOTONIC SWITCHING, 1-3 JULY 1992, VOL. 1807 PAGES 462-469, MINSK BELARUS	1-13, 16-22
Y	H.H. WITTE 'Novel Photonic Switching Network Using Optical Frequency Division Shared-Medium Switching' see abstract see page 463, line 27 - page 464, line 9; figure 3	14,15
	--- -/--	

Further documents are listed in the continuation of box C.

Patent family members are listed in annex.

* Special categories of cited documents :

- *A* document defining the general state of the art which is not considered to be of particular relevance
- *E* earlier document but published on or after the international filing date
- *L* document which may throw doubts on priority claim(s) or which is cited to establish the publication date of another citation or other special reason (as specified)
- *O* document referring to an oral disclosure, use, exhibition or other means
- *P* document published prior to the international filing date but later than the priority date claimed

- *T* later document published after the international filing date or priority date and not in conflict with the application but cited to understand the principle or theory underlying the invention
- *X* document of particular relevance; the claimed invention cannot be considered novel or cannot be considered to involve an inventive step when the document is taken alone
- *Y* document of particular relevance; the claimed invention cannot be considered to involve an inventive step when the document is combined with one or more other such documents, such combination being obvious to a person skilled in the art.
- *&* document member of the same patent family

Date of the actual completion of the international search

8 December 1994

Date of mailing of the international search report

09.01.95

Name and mailing address of the ISA

European Patent Office, P.B. 5818 Patentlaan 2
NL - 2280 HV Rijswijk
Tel. (+31-70) 340-2040, Tx. 31 651 epo nl,
Fax: (+31-70) 340-3016

Authorized officer

O REILLY, D

INTERNATIONAL SEARCH REPORT

 Intern. Application No
 PCT/GB 94/02330

C.(Continuation) DOCUMENTS CONSIDERED TO BE RELEVANT		
Category	Citation of document, with indication, where appropriate, of the relevant passages	Relevant to claim No.
X	TRANSACTIONS OF THE INSTITUTE OF ELECTRONICS AND COMMUNICATION ENGINEERS OF JAPAN, SECTION E, vol.E75-B, no.4, April 1992, TOKYO JP pages 267 - 273, XP301364 H. ROKUGAWA ET AL 'Wavelength Conversion Laser Diodes Application to Wavelength-Division Photonic Cross-Connect Node with Multistage Configuration'	1-13, 16, 21
Y	see abstract see page 268, right column, line 7 - line 35; figure 2	14, 15, 17-20, 22
X	EP,A,0 382 431 (BRITISH TELECOMMUNICATIONS PLC) 16 August 1990	1-12, 16, 21
Y	see abstract see column 1, line 37 - column 2, line 17 see column 3, line 10 - line 35 see column 4, line 31 - line 48 see column 8, line 50 - column 9, line 6; figure 5	17-20, 22
X	EP,A,0 429 046 (NEC CORP.) 29 May 1991	1-9, 12, 13, 16
Y A	see column 4, line 6 - line 44; figure 1	17-20, 22 10, 11, 14, 15
X	EP,A,0 494 831 (FUJITSU LTD.) 15 July 1992	1-12, 14, 16, 21
A	see abstract see column 7, line 23 - line 44 see column 10, line 25 - column 11, line 13 see column 12, line 1 - column 13, line 27 see column 14, line 50 - column 17, line 20; figures 4, 13, 15, 19-21	13, 15, 17-20, 22
X	EP,A,0 461 519 (STANDARD ELECTRIC LORENZ AKTIENGESELLSCHAFT) 18 December 1991	1-5, 8, 14-16, 21
A	see abstract see column 4, line 35 - column 5, line 4; figures 1, 2	6, 7, 9-13, 17-20, 22

	-/--	

INTERNATIONAL SEARCH REPORT

Intern. Patent Application No

PCT/GB 94/02330

C.(Continuation) DOCUMENTS CONSIDERED TO BE RELEVANT		
Category	Citation of document, with indication, where appropriate, of the relevant passages	Relevant to claim No.
Y	<p>CONFERENCE RECORD, IEEE GLOBAL TELECOMMUNICATIONS CONFERENCE, 6-9 DEC. 1992, VOL.3 PAGES 1902-1905, ORLANDO US, XP392891</p> <p>J. SHARON Y ET AL 'Extension of Classical Rearrangeable and Non-Blocking Networks to the Wavelength Dimension'</p> <p>see abstract</p> <p>see page 1903, left column, line 9 - line 22; figures 4,5</p> <p style="text-align: center;">---</p>	17-20,22
Y	<p>PROCEEDINGS OF THE FOURTH TIRRENIA INTERNATIONAL WORKSHOP ON DIGITAL COMMUNICATIONS, 19-23 SEPT. 1989, PAGES 238-248, TIRRENIA IT, XP163999</p> <p>D.W. SMITH 'Combined Spectral & Spatial Multiplexing Schemes for Switching Networks'</p> <p>see abstract</p> <p>see page 242, line 20 - page 243, line 19; figures 3,4</p> <p style="text-align: center;">---</p>	14,15
A	<p>ELECTRONICS LETTERS, vol.28, no.13, 18 June 1992, STEVENAGE GB pages 1268 - 1270, XP301528</p> <p>H. OBARA ET AL 'Star Coupler Based WDM Switch Employing Tunable Devices with Reduced Tunability Range'</p> <p>see page 1269, right column, line 10 - line 43; figure 3</p> <p style="text-align: center;">-----</p>	1-22

INTERNATIONAL SEARCH REPORT

Information on patent family members

Intern. Patent Application No

PCT/GB 94/02330

Patent document cited in search report	Publication date	Patent family member(s)	Publication date
EP-A-0548453	30-06-93	JP-A- 5260538	08-10-93
		US-A- 5361254	01-11-94
EP-A-0382431	16-08-90	AT-T- 111287	15-09-94
		AU-B- 626985	13-08-92
		AU-A- 4969290	05-09-90
		DE-D- 69012162	13-10-94
		ES-T- 2058781	01-11-94
		WO-A- 9009725	23-08-90
		JP-T- 4503443	18-06-92
		US-A- 5241409	31-08-93
EP-A-0429046	29-05-91	JP-A- 3219793	27-09-91
		CA-A, C 2030229	21-05-91
		US-A- 5194977	16-03-93
EP-A-0494831	15-07-92	JP-A- 4235533	24-08-92
		JP-A- 5063656	12-03-93
		CA-A- 2059074	11-07-92
EP-A-0461519	18-12-91	DE-A- 4019225	19-12-91
		AU-B- 643024	04-11-93
		AU-A- 7823591	19-12-91
		CA-A- 2044669	16-12-91
		JP-A- 4233394	21-08-92
		US-A- 5175777	29-12-92